



# SAFETY SHOWERS, EYE-WASHERS AND FIRST-AID EQUIPMENTS

**RANGE DL** EN 15154-1 EN 15154-2



# SAFETY SHOWERS, EYE-WASHERS AND FIRST-AID EQUIPMENTS

## MAIN INFORMATION

For security reasons, safety showers and eye-washers are highly recommended in every working area where chemical projections danger exist. Thus, they can be found in:

- Chemical and pharmaceutical industries,
- Food-processing and automobile industries,
- Chemical, petrochemical and biochemical laboratories,
- State workshops, car repair shops, printing houses,
- Universities and schools,
- Hospitals and clinics,
- Filtering stations and swimming pools...

Considered as first aid equipments, safety showers and eye-washers must be close to risky areas. The access must be easy and well indicated.

## REGULATIONS

### WORKING REGULATIONS:

According to R.4224-14 article, working areas must be fitted out with first aid equipment adapted to the possible risks and with an easy access.  
Please, refer to the local regulations in your country.

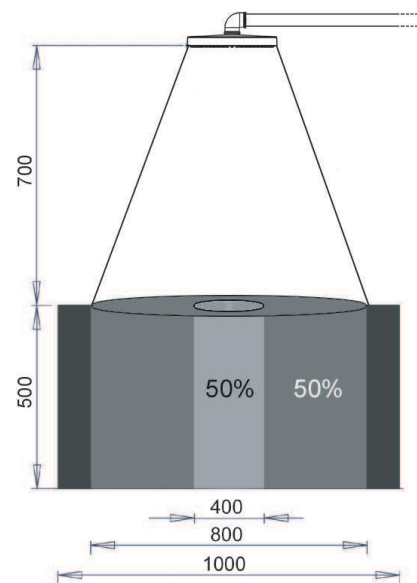
### ISO 3864 :

Labelling regulation : At the European level, it corresponds to 92/58/CEE instruction. All our first aid equipments are provided with labels in conformity with these standards.

### EUROPEAN REGULATION EN 15154-1:

This regulation concerns body showers, connected to water network. The main requirements are :

- The water distribution of the emergency body shower shall be measured by this procedures : At a distance of 700mm below the shower head, 50% ( $\pm 10\%$ ) of the volume of water delivered shall fall in a circle with a diameter of 400mm, and the area reached by minimum 95% of the water shall be limited to a circle with a diameter of 800mm.
- When no national or local regulations apply, a constant flow rate of minimum 60l/min is suitable.
- The body shower shall be capable of delivering this supply for a minimum of 15 minutes.
- The velocity of the water spray shall be low enough to be non-injurious to the user
- The shower head shall be designed to be installed so that its lower edge is 2200 ( $\pm 100$ ) mm above the level on which the user stands
- The water valve shall not close automatically.
- The manufacturer shall supply information on installation, operation and maintenance as well as the method and frequency of routing testing.
- Showers must be provided with the appropriate label (please read above).





**EUROPEAN STANDARD EN 15154-2:**

This regulation concerns eye-washers, connected to water network. The main requirements are:

- Plumbed-in eye-wash units shall be able to deliver a constant flow rate of minimum 6l/min,
- Eye-wash units shall be capable of delivering this supply for a minimum of 15 minutes,
- The velocity of the water shall be low enough to be non-injurious to the user,
- The jet of water supplied by the nozzles shall spray at a minimum height of 100mm and may spray at a maximum height of 300mm,
- The outlet nozzles shall be installed at a height of 1000 (± 200)mm above the level on which the user stands,
- The water valve shall not close automatically,
- The manufacturer shall supply information on installation, operation and maintenance as well as the method and frequency of routing testing,
- Eye-washers must be provided with the appropriate label (please read above).

**Water temperature:**

EN15154-1 and EN 15154-2 regulations recommend to use a water between 15°C and 37°C, in order not to worsen lesions of injured persons and to ensure a better comfort. We advise you to use a thermostatic mixing valve (option as follow).

**CHOOSE THE ADAPED SOLUTION TO THE INCURED RISKS**

Risks		First-aid solutions	Pages
Projection on body	Stationary	Safety shower connected to water network	8
	Itinerant	Portable shower stations	10
Eyes and face projection	Stationary	Eye-washers connected to water network	6 - 7 - 9
	Itinerant	Autonomous eye-washers	10 - 11
Projection on body, eyes and face combined	Stationary	Safety combination units	4 - 5
	Itinerant	Portable shower stations and Autonomous eye-washers	10 - 11

**INSTALLATION**

It is recommended to install first aid equipments close to the dangerous areas. They must be easy to access (less than 10 seconds or 30 m) and free from walls or obstructions.

They must be clearly identified by the staff that would use the materials. The staff must be trained to use these products. Finally, the material linked to a water network must be checked at least once a month.

**OPTIONS**

**THERMOSTATIC MIXING VALVE (MCL-MTD)**

For eye-washers: MCL

For safety showers and combination units: MTD



▲ MTD

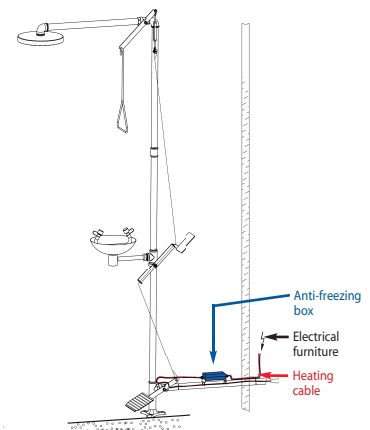


▲ MCL

**HEATING CABLE KIT (KITCC)**

In order to avoid the risk, we recommend you to use an heating cable that prevent the risk of frozen water in the tubing until -1°C. This solution can be used on every safety showers and eye-washers model

**Included :** 1 m of heating cable, electrical furniture kit, and anti-freezing box



The manufacturer keeps the right to modify technical characteristics without notice. Edition 10/2009.

Flammable cabinets

Corrosive cabinets

Toxics cabinets and multirisk

Pesticide range

Fume hoods and cabinets

Retention and Cans

Anti-fire equipments and Files cabinets

Showers and first-aid equipments

Flammable cabinets

Corrosive cabinets

Toxics cabinets and multirisk

Pesticide range

Fume hoods and cabinets

Retention and Cans

Anti-fire equipments and Files cabinets

Showers and first-aid equipments

# RANGE DL

EN 15154-1 EN 15154-2



## SAFETY COMBINATION UNITS



DLP64  
Freeze resistant model

DLI63 ▲  
Uncongealable model

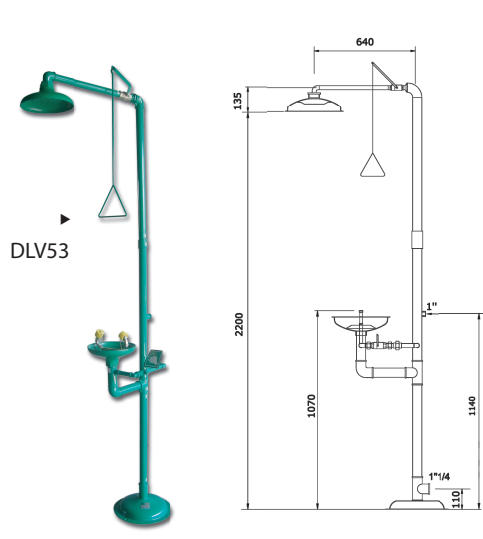
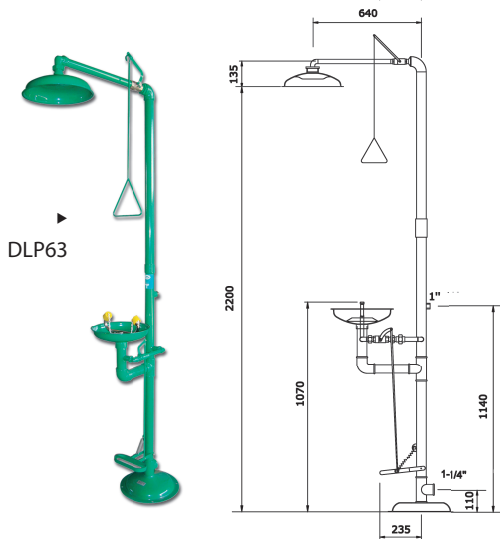
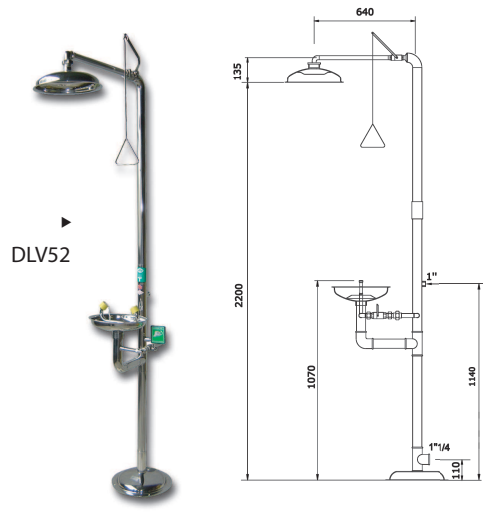
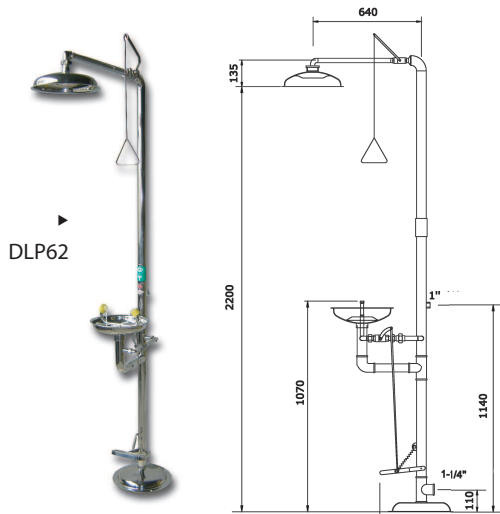
Ref.	Use	Operating	Mounting	Bowl	Shower head	Piping	Supply	Draining	Flow (L/mn)		Weight (kg)	EN 15154-1	EN 15154-2
									Eye-washer	Shower			
DLP64	Indoor and outdoor* 	Hand and foot operating	Pedestal mounted	Stainless steel bowl + green epoxy paint RAL 6032	Green ABS RAL 6032	Galvanised steel + grey epoxy paint RAL 7040	F 1"	F 1"1/4	11,5	90	14	yes	yes
DLI63	Outdoor 	Hand and foot operating	Pedestal mounted	Green ABS RAL 6029	Green ABS RAL 6029	Galvanised steel + green epoxy paint RAL 6029	F 1"	F 1"1/4	11,5	75	24	yes	yes

4 \*We recommend to install a heating cable kit with this model (KITCC)

The manufacturer keeps the right to modify technical characteristics without notice. Edition 10/2009.



# SAFETY COMBINATION UNITS



Ref.	Use	Operating	Mounting	Bowl	Shower head	Piping	Supply	Draining	Flow (L/mn)		Weight (kg)	EN	
									Eye-washer	Shower		15154-1	15154-2
DLV52	Indoor	Hand operating	Pedestal mounted	Stainless steel	Stainless steel	Stainless steel	F 1"	F 1"1/4	11,5	75	19	yes	yes
DLV53	Indoor	Hand operating	Pedestal mounted	Green ABS RAL 6029	Green ABS RAL 6029	Galvanised steel + green epoxy paint RAL 6029	F 1"	F 1"1/4	11,5	75	19	yes	yes
DLP62	Indoor	Hand and foot operating	Pedestal mounted	Stainless steel	Stainless steel	Stainless steel	F 1"	F 1"1/4	11,5	75	22	yes	yes
DLP63	Indoor	Hand and foot operating	Pedestal mounted	Green ABS RAL 6029	Green ABS RAL 6029	Galvanised steel + green epoxy paint RAL 6029	F 1"	F 1"1/4	11,5	75	23	yes	yes

The manufacturer keeps the right to modify technical characteristics without notice. Edition 10/2009.

Flammable cabinets

Corrosive cabinets

Toxics cabinets and multirisk

Pesticide range

Fume hoods and cabinets

Retention and Cans

Anti-fire equipments and Files cabinets

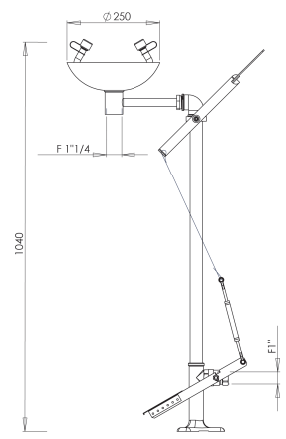
Showers and first-aid equipments

# RANGE DL

EN 15154-2



## PEDESTAL MOUNTED EYE-WASHERS



LP24  
Freeze resistant model



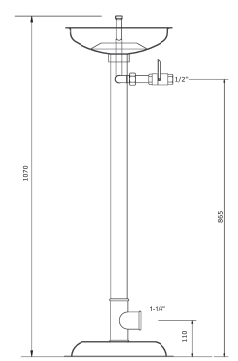
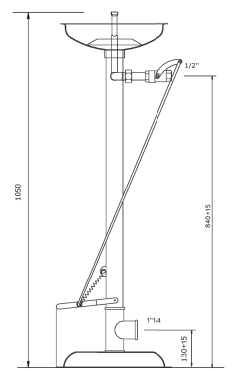
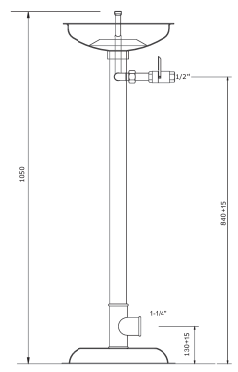
◀ LV22 ▶



◀ LP22 ▶



◀ LV23 ▶

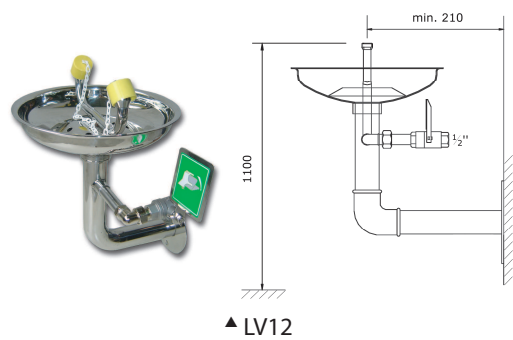
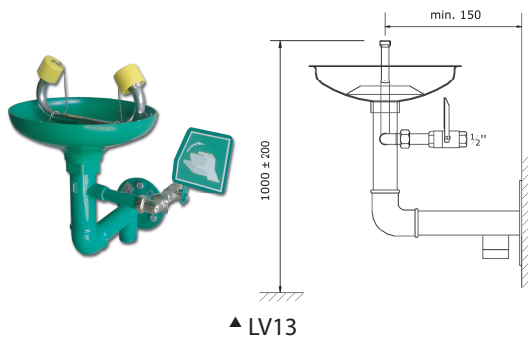
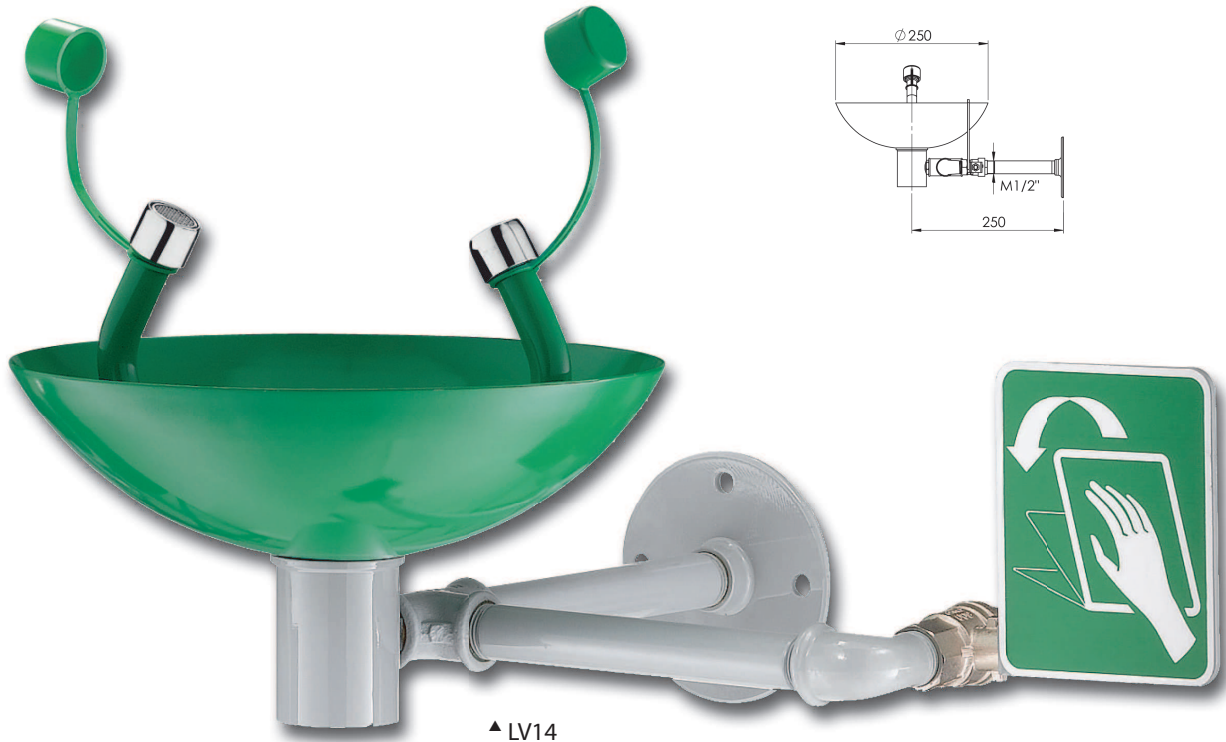


Ref.	Use	Operating	Mounting	Bowl	Piping	Supply	Draining	Flow (L/mn)	Weight (kg)	EN 15154-2
								Eye-washer		
LP24	Indoor and outdoor* 	Hand and foot operating	Pedestal mounted	Stainless steel bowl + green epoxy paint RAL 6032	Galvanised steel + grey epoxy paint RAL 7040	F 1"	F 1 1/4"	15	8	yes
LV22	Indoor	Hand operating	Pedestal mounted	Stainless steel	Stainless steel	F 1/2"	F 1 1/4"	11,5	10	yes
LP22	Indoor	Foot operating	Pedestal mounted	Stainless steel	Stainless steel	F 1/2"	F 1 1/4"	11,5	11	yes
LV23	Indoor	Hand operating	Pedestal mounted	Green ABS RAL 6029	Galvanised steel + green epoxy paint RAL 6029	F 1/2"	F 1 1/4"	11,5	10	yes

\*We recommend to install a heating cable kit with this model (KITCC)



# WALL MOUNTED EYE-WASHERS



Ref.	Use	Operating	Mounting	Bowl	Pipping	Supply	Draining	Flow (L/mn)	Weight (kg)	EN 15154-2
								Eye-washer		
LV14	Indoor	Hand operating	Wall mounted	Stainless steel bowl + green epoxy paint RAL 6032	Galvanised steel + grey epoxy paint RAL 7040	M 1/2"	F 1"1/4	15	3,2	yes
LV13	Indoor	Hand operating	Wall mounted	Green ABS RAL 6029	Galvanised steel + green epoxy paint RAL 6029	F 1/2"	F 1"1/4	11,5	5,1	yes
LV12	Indoor	Hand operating	Wall mounted	Stainless steel	Stainless steel	F 1/2"	F 1"1/4	11,5	5,8	yes

The manufacturer keeps the right to modify technical characteristics without notice. Edition 10/2009.

Flammable cabinets

Corrosive cabinets

Toxics cabinets and multirisk

Pesticide range

Fume hoods and cabinets

Retention and Cans

Anti-fire equipments and Files cabinets

Showers and first-aid equipments

**RANGE DL****EN 15154-1**

# WALL MOUNTED AND PEDESTAL SAFETY SHOWERS



Ref.	Use	Operating	Mounted	Shower head	Pipping	Supply	Flow (L)	Weight (kg)	EN 15154-1
							Shower		
DS24	Indoor	Hand operating	Wall mounted	Green ABS RAL 6032	Galvanised steel + grey epoxy paint RAL 7040	F 1"	90 L/mn	4	yes
DS23	Indoor	Hand operating	Wall mounted	Green ABS RAL 6029	Galvanised steel + green epoxy paint RAL 6029	F 1"	75 L/mn	4,4	yes
DS32	Indoor	Hand operating	Pedestal mounted	Stainless steel	Stainless steel	F 1"	75 L/mn	15	yes

The manufacturer keeps the right to modify technical characteristics without notice. Edition 10/2009.

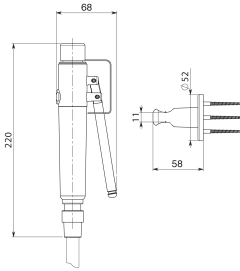




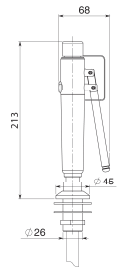
# EMERGENCY SPRAY UNITS



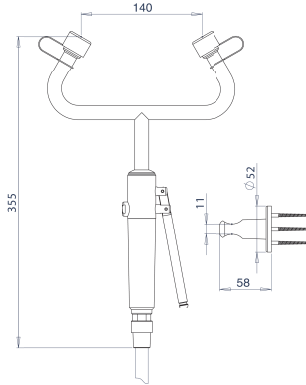
▲ DS04



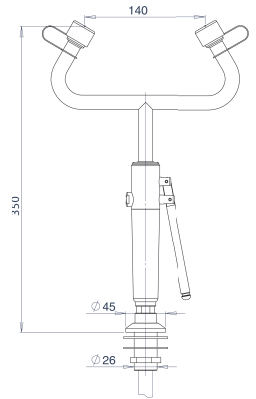
▲ DS54



▲ LV04



▲ LV54



REF.	Use	Operating	Mounted	Drench hose (m)	Supply	Flow (L/mn)	Weight (kg)	EN 15154-2
						Eye-washer		
DS04	Indoor	Hand operating	Wall mounted	1,5	M1/2"	16	1	yes
DS54	Indoor	Hand operating	Deck mounted	1,5	M1/2"	16	1	yes
LV04	Indoor	Hand operating	Wall mounted	1,5	M1/2"	15	1,50	yes
LV54	Indoor	Hand operating	Deck mounted	1,5	M1/2"	15	1	yes

The manufacturer keeps the right to modify technical characteristics without notice. Edition 10/2009.

Flammable cabinets

Corrosive cabinets

Toxics cabinets and multirisk

Pesticide range

Fume hoods and cabinets

Retention and Cans

Anti-fire equipments and Files cabinets

Showers and first-aid equipments



# SELF-CONTAINED SHOWERS AND EYE-WASHERS



## KLY – Eye-wash kit

Delivered with

- 1x 500 ml bottle with sodium chloride solution.
- 1 eye-wash bottle.
- 2 eye pads.
- 1 scissors. 1 soft tissues (pack).
- 1 adhesive tape. 2 sterile bands (18 x 40 mm).
- 1 booklet with directions for use.

## DPA6/DPA9 – Portable shower stations

- Tested tank, built in steel E 243 and E 244.
- Capacity 6 or 9 liters.
- Spraying shower in polyamid and fiber glass.
- Direction for use printed on the tank.
- Delivered with one CO2 cartridge installed.
- Warning: Delivered without liquid. Necessary to fill up with mineral water.



## 20 seconds to save your eyes

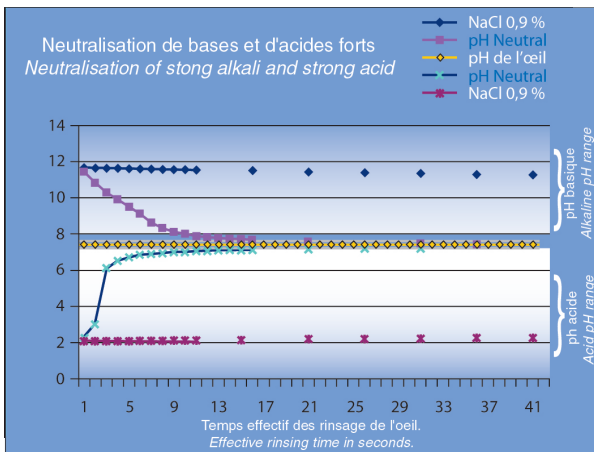
### PH Neutral Solution (blue bottle)

When injuries are caused by acids or alkaline substances, cauterization begins as soon as the substance comes into contact with the eyes. Rapid action is needed as aggressive product seepage in the eye can occur within 45 seconds.

As time is important, Neutral pH, composed of a sterile phosphate buffer (4,9%), neutralises the fluid in the eye within 20 seconds. The Ph Neutral solution is used for neutralizing acids and bases products projections on body provoking chemical burns.

### Sterile sodium chloride solution (green bottle)

The sterile sodium chloride solution (0,9%) is appropriate for injuries caused by dust, metal or wood chips. The steril sodium solution corresponds to the eye's natural fluid and rinses the eye gently and prevents further contamination.



Step 1



Step 2



Step 3

# RANGE DL



▲ SP1F



▲ S1F



▲ SP2F



▲ SM1F



▲ SM2F



▲ SF2F

## WALL MOUNTED SHOWERS AND STATIONS

Ref.	Description	Weight (kg)	Delivered : bottle (ml)			
			Sterile sodium chloride solution (green)		pH Neutral solution (blue)	
			200	500	200	1000
SM1F	Eye-wash station with 1 bottle 500 ml	0,9	-	1	-	-
SM2F	Eye-wash station with 2 bottles 500 ml	1,7	-	2	-	-
SF2F	Eye-wash closed station with 2 bottles 500 ml	1,8	-	2	-	-
S1F	Belt bag with 1 bottle 200 ml for eyes	0,5	1	-	-	-
SP1F	Station with 1 bottle 1 l for body and eyes	1,4	-	-	-	1
SP2F	Station with 2 bottles for body and eyes	1,2	-	1	1	-
KLY	Eye-wash kit	1	-	1	-	-
DPA6	Portable shower station - 6L	4	Delivered without liquid - Delivered with CO2 40g cartridge			
DPA9	Portable shower station - 9L	5	Delivered without liquid - Delivered with CO2 60g cartridge			

## CONSUMABLES

Ref.	Description	Weight (kg)	Can be used with
FR200	200ml bottle with sterile sodium chloride solution	0,4	S1F
FR500	500ml bottle with sterile sodium chloride solution (set of 2 bottles)	1,2	SM1F - SM2F - SF2F - SP2F - KLY
FR1PH	1000ml bottle with pH Neutral solution	1,1	SP1F
FR200PH	200ml bottle with pH Neutral solution	0,3	SP2F
CDPA6	Replacement CO2 cartridge for DPA6 (40g)	0,2	DPA6
CDPA9	Replacement CO2 cartridge for DPA9 (60g)	0,3	DPA9

© TRIONYX se réserve le droit de modifier les caractéristiques techniques sans préavis. Edition 10/2009.

Flammable cabinets

Corrosive cabinets

Toxics cabinets and multirisk

Pesticide range

Fume hoods and cabinets

Retention and Cans

Anti-fire equipments and Files cabinets

Showers and first-aid equipments



# MEDICINE CABINETS



▲ AS5D



▲ AS5



Chest for toxic products

### TECHNICAL SPECIFICATIONS

- Built in steel 12/10th.
- White epoxy paint RAL 9010.
- "First-aids" normalized labels.
- Shelves adjustable in height.
- Door(s) with key locking system.
- Chest for toxic products:
  - Dimensions: H 370 x W 600 x P 450 mm.

- Dangerous products security reinforced.
- Chest can be used as a shelf with step.
- "Toxic products" normalized label.
- Key locking system.
- Different lock and keys for the cabinet and the chest.

### OPTIONS

- Additional shelf.

### WALL MOUNTED MEDICINE CABINETS

#### TECHNICAL SPECIFICATIONS

- Possibility to assemble the models together.
- Built in steel 10/10th.
- Epoxy paint: white RAL 9010.
- "First-aids" normalized label.
- Shelves adjustable in height.
- Key locking system.



◀ MF25



MF15 ▼

Ref.	Description	External dim. H x W x D (mm)	Internal dim. H x W x D (mm)	Shelf number	Weight (kg)
MF15	Wall mounted medicine cabinet (small model)	380 x 470 x 205	370 460 x 170	2	10
MF25	Wall mounted medicine cabinet (tall model)	580 x 470 x 205	570 x 460 x 170	4	15
AS5	One door tall medicine cabinet	1825 x 560 x 500	1760 x 540 x 480	3x ESAS5 + chest	60
AS5D	Two doors tall medicine cabinet	1825 x 1120 x 500	1760 x 1100 x 480	3x ESAS5D + 1x ESAS5 + chest	105
ESAS5	Additional shelf for AS5	10 x 530 x 470	-	-	4
ESAS5D	Additional shelf for AS5D	10 x 1090 x 470	-	-	8

Flammable cabinets

Corrosive cabinets

Toxic cabinets and multirisk

Pesticide range

Fume hoods and cabinets

Retention and Cans

Anti-fire equipments and Files cabinets

Showers and first-aid equipments